



**Due to data loss, we as a convenience to our customers,
have made available our 2001 catalog for you
to USE AS A PRODUCT REFERENCE only**

**Please Call 1-800-233-1487 For
Current 2008 Pricing.**

Thank you for your interest in American Garage Door Supply Inc.

Cold Storage Doors



**LOOKED
HIGH AND LOW?**
Let us give you a hand



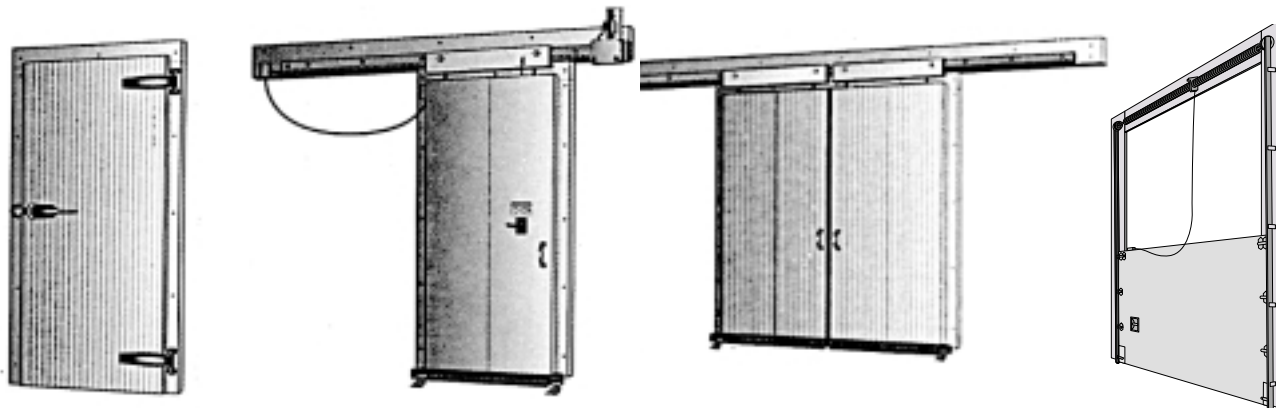
**We can help you
select the best
system.**

COLD STORAGE DOORS - FREEZERS, COOLERS, WALK-INS

Cascade 2000

Built with a design that balances durability, economy and appearance. The ultimate in insulated swinging and sliding doors - Perfect for cold storage walk-ins, warehouses, processing & distribution facilities. You can depend on us for a design that guarantees ease of installation and trouble free operation.

- Compact, efficient design that requires less side, head, & depth clearance than most competitive doors.
- Corrosion resistant construction.
- Standard cladding material is 26 guage stucco galvanized steel.
- .032 stucco aluminum, prepaint white or FRP available in 4 colors
- Panels are formed in place with class 1 urethane foam.
- Cooler door panels are 3.5" thick R-27.
- Freezer door panels are 3.5" R-27 or 5" thick R-39.
- Freezer doors panels have heater cables on all 4 edges. Eliminating the need for a heated floor sill in most applications.
- Available in single slide, bi-parting, swinging and sectional overhead door models.
- Doors can be manually or power operated.



Rigidized Swinging	Single Sliding Doors	Bi-Parting Sliding Doors	Sectional Overhead Doors
<p>Manual rigidized swing cooler and freezer doors are available on door sizes up to 10' x 10'. Common applications include walk-in coolers and freezers in a variety of applications. Choose from single swing or double swing for your size requirement.</p> <ul style="list-style-type: none"> • Doors are prehung on 3-sided frame. • Custom made for your exact opening size. • Floor sills available for freezer applications. • Emergency release standard • Options available include heated windows, double frames & headers. 	<p>Standard single sliding doors are available on door sizes up to 10' wide x 12' tall. Common applications include medium density walk-thru traffic and pallet jack or lift truck traffic in freezers, coolers or warehouses.</p> <ul style="list-style-type: none"> • Single sliding doors are available in both manual and electrically powered models with your choice of right or left operation. • Header and side frames are easily installed and include easily replaced gaskets that fit into a extruded PVC track. • The overhead track featuring horizontal travel is designed to force the door tight against the gaskets for a secure seal. 	<p>Bi-parting doors can fit a large range of door sizes up to 10' wide x 12' tall. Typical applications include high traffic areas in large food processing plants, busy interior doorways in cold-storage facilities and exterior dock doors where heavy lift truck, pallet jack or walk-thru traffic exists.</p> <ul style="list-style-type: none"> • Powered doors feature high-speed parting action. Manual doors can be parted in any order to allow easy personel pass-through. • Even large bi-parting manual doors roll easily, thanks to lubricated rollers on a true horizontal track. • A heavy duty track, roller and hanger bar is available on large doorway installations. 	<p>Sectional overhead doors can be specified for doors up to 10 feet wide x 12 feet tall. Seals between sectional panels provide the same insulating characteristics as our solid doors. Use in loading docks, aiseways, obstructed areas or wherever directional slide clearance and ceiling height is limited.</p> <ul style="list-style-type: none"> • Heavy duty galvanized steel track is pre-mounted to the side frames for easy installation. • Doors use a heavy duty torsion spring lifting system rated for 20,000 cycles. Longer life springs are optional. • Standard powered models feature two pull cord switches and a pneumatic safety edge on the bottom. • Freezer models include heat cables at all outer edges and between sections.

Cascade 2000 Options

- | | | | |
|--|--|---|--|
| <ul style="list-style-type: none"> • Metal Coverings*
Smooth (Rigidized standard)
26 GA. Galvanized Stucco Steel
Pre-Paint White or Custom Color
.032 Stucco Aluminum
24 GA. Stainless Steel #4 Finish
*Inside and outside finishes can be different. | <ul style="list-style-type: none"> • Decorative Facing
6 ABS Colors
4 FRP Colors • Double Casings • Heated Windows • Track Hood • Access Door | <ul style="list-style-type: none"> • Impact Plates
Aluminum Diamond Plate
16 GA. Galvanized Steel
Stainless Steel • Heated Gaskets • Lock Hasp with Safety Release | <ul style="list-style-type: none"> • Electric Operator
3/4 HP Motor
Personnel Button
Remote Switches • Thermometer • Additional Options are available |
|--|--|---|--|

Please call with your requirements and we will be happy to recommend the proper product for your application.

COLD STORAGE DOORS - REPLACEMENT HINGES

American Garage Door Supply offers a large selection of freezer and cooler door replacement hardware. Select from our high quality replacement hardware to fit your doors needs. Can't find the hardware in our catalog for your project? Call us and ask about our dozens of other products available to fit your needs

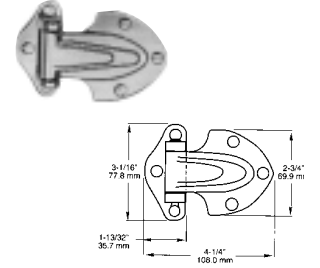
139 NARROW FLANGE HINGE

Ideal model for small service doors.

Specifications

Material: High pressure die-cast zinc; stainless steel pin
Finish: Chrome
Drilled and countersunk for No. 8 (4.0mm) screws.

Model No.	Description	Price/pr
139000000	Hinge Flush	\$70.00
1390000012	Hinge 1/4" (6.4mm)	\$68.00
1390000016	Hinge 3/8" (9.5mm)	\$68.00
1390000024	Hinge 5/8" (15mm)	\$68.00
1390000028	Hinge 3/4" (19mm)	\$68.00
1390000032	Hinge 7/8" (22.2mm)	\$60.00
1390000036	Hinge 1" (25.4mm)	\$68.00
1390000040	Hinge 1-1/8" (28.6mm)	\$62.00



1070 NARROW FLANGE HINGE

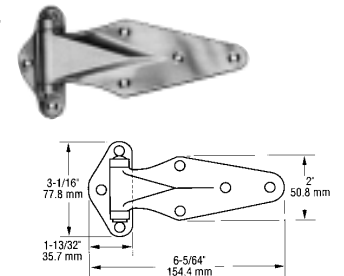
Specifications:

Material: High pressure die-cast zinc; stainless steel pin
Finish: Chrome
Drilled and countersunk for No. 8 (4.0 mm) screws.

LOOKED HIGH AND LOW?
Let us give you a hand



Model No.	Description	Price/pr
1070000004	Hinge Flush	\$57.00
1070000008	Hinge 1/8" (3.2mm)	\$73.00
1070000012	Hinge 1/4" (6.4mm)	\$73.00
1070000016	Hinge 3/8" (9.5mm)	\$61.00
1070000024	Hinge 5/8" (15mm)	\$73.00
1070000028	Hinge 3/4" (19mm)	\$73.00
1070000032	Hinge 7/8" (22.2mm)	\$55.00
1070000036	Hinge 1" (25.4mm)	\$73.00
1070000040	Hinge 1 1/8" (28.6mm)	\$54.00



1245 CAM RISE HINGE

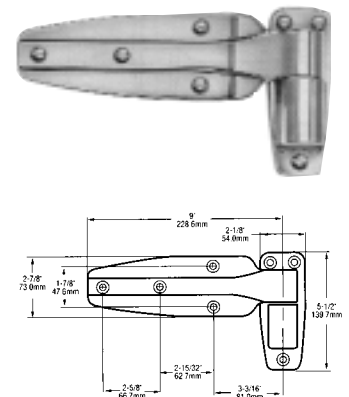
Our 1245 industry-standard cam-rise hinges are self-closing and completely reversible on-site in minutes.

- Self lubricating nylon cams deliver smooth, trouble-free operation; close the door firmly with minimum effort.
- Built-in dwell stop holds door open beyond 90°.
- Cam-rise action reduces gasket wear, even with irregular floors.
- Doors lift off without removing hinge parts for efficient, economical handling and installation assembly.

Specifications:

Material: High pressure die cast zinc Drilled and countersunk for 1/4" (6.0mm) flat head screws.
Finish: Chrome

Model No.	Description	Price/pr
1245000028	Hinge Flush*	\$85.00
1245000040	Hinge 1-1/8" (28.6mm)*	\$85.00
1245000044	Hinge 1-1/4" (31.8mm)*	\$85.00
1245000048	Hinge 1-3/8" (34.9mm)*	\$85.00
1245000068	Hinge 1-1/2" (38.1mm)*	\$96.00
1245000072	Hinge 1-5/8" (41.3mm)*	\$96.00
1245000076	Hinge 1-3/4" (47.6mm)*	\$96.00
1245000080	Hinge 1-7/8" (49.2mm)*	\$96.00
1245000082	Hinge 2" (50.8mm)*	\$98.00
124504480117R	Cam Center	\$3.50
124504490117R	Cam Offset	\$3.50
124500165	Rod & Follow	\$13.00



1248 HINGE

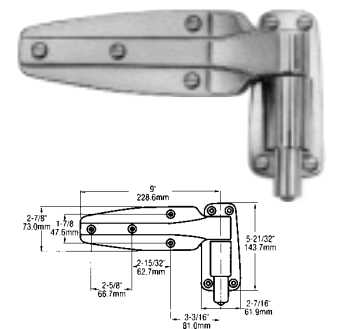
Heavy walk-in doors open and close at a touch when fitted with these springs assisted cam-rise hinges. Spring mechanism adds extra closing force to overcome air resistance. Precision molded, self lubricating nylon comes deliver smooth, trouble-free door operation. Built-in dwell stop holds door open past 90°. doors lift off when fully opened, per instructions, without removing hinge parts for fast, economical installation and shipping.

Specifications:

Material: High pressure die cast zinc Drilled and countersunk for 1/4" (6.0mm) flat head screws.

Model No.	Description	Price/pr
1248000004	Hinge Flush*	\$133.00
1248000016	Hinge 1-1/8" (28.6mm)*	\$133.00
1248000020	Hinge 1-1/4" (31.8mm)*	\$133.00
1248000022	Hinge 1-3/8" (34.9mm)*	\$155.00
1248000024	Hinge 1-1/2" (38.1mm)*	\$155.00
1248000025	Hinge 1-5/8" (41.3mm)*	\$155.00
1248000026	Hinge 1-3/4" (47.6mm)*	\$155.00
1248000027	Hinge 1-7/8" (49.2mm)*	\$162.00
1248000030	Hinge 2" (50.8mm)*	\$168.00

*denotes polished chrome finish



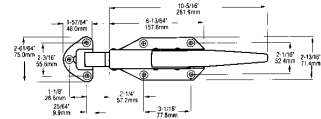
How to determine offset for Hinges and Latches

Measure the distance the door face is above the jamb on side where the hinge is mounted



COLD STORAGE DOORS - LATCHES

58 LATCH

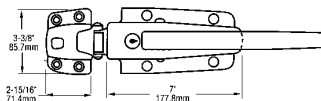


This revolutionary safety latch features a radial tongue which rolls securely into a closed position. Combine this easy-operating latch with an inside release handle to provide necessary employee protection.
Material: High pressure die-cast zinc Drilled and countersunk for 1/4" (6.0mm) screws.
58L-light, 3 lbs. (1.4kg) spring pressure.

Model No.	Description	Price/ea
0058L05021	Body Assm. w/light spring*	\$75.19
0059005001	Strike Assm. 1/8"-1/4"*	\$28.32
0059005002	Strike Assm. 3/4"-1 1/2"*	\$28.00
0059005003	Strike Assm. 1 3/4"-2 1/2"*	\$37.50

*denotes polished chrome finish

56 LATCH



SafeGuard™ latches offer an extra margin of employee safety with ultimate protection against entrapment in walk-in refrigerators and freezers. Specifically designed for the industry trend to lighter weight doors, this compact latch delivers remarkable ease of operation combined with Kason quality and durability.

Absolute Safety Inside release opens the door even when latch is locked-padlocked, cylinder-locked, or both!

Specifications

Material: High pressure die-cast zinc and strike housing, malleable iron handle Drilled and countersunk for 1/4" (6.0mm) screws

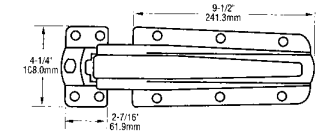
Easy Positive Action minimum pressure or pull releases the 56 from outside or inside for easy door opening. Latch pulls into positive airtight closure with little effort.

Pilfer-Proof foolproof and pilfer-proof when padlocked or cylinder-locked, the 56 latch tongue cannot be forced to release the latch.

Model No.	Description	Price/ea
0056L05020	Body Assm. w/light spring*	\$118.00
0056L05002	Strike Assm. Flush*	\$43.00
0056L05003	Strike Assm. 3/4"-1 1/2"*	\$43.00
0056L05005	Strike Assm. 1 3/4"-2 1/2"*	\$56.00

*denotes polished chrome finish

55 LATCH



No other latch can match the rugged mechanical features that make this the industry benchmark.

Completely equipped with a Surface-mounted, paddle-style inside release lever, the 55 easy-action latch releases from the outside or inside with minimum pressure or pull. our patented, micro-adjustable strike ensures exact door alignment. Each 55 series latch comes complete with model 483 inside release for safety.

Specifications

Material: High pressure die cast zinc body and strike housing, malleable iron handle; cold rolled steel inside release paddle assembly.

Drilled and countersunk for 1/4" (6.0 mm) screws. Plunger rod for inside release handle fits 6 in. door unless thickness is specified. Latch available with light or extra light spring. Specify as follows.

SSXL Latch with light spring
SSXXL Latch with extra light spring.

Model No.	Description	Price/ea
0055000020	Latch Complete CHR Flush - 3/16**	\$336.00
0055000024	Latch Complete CHR 3/4" - 1-1/8**	\$332.00
0055000028	Latch Complete CHR 1-1/8" - 1-5/8**	\$328.00
0055000032	Latch Complete CHR 1-3/8" - 1-7/8**	\$325.00
0055000076	Latch Body Only*	\$262.00
0055000104	Strike Only CHR Flush - 3/16**	\$127.50
0055000108	Strike Only CHR 1-1/8" - 1-5/8**	\$127.50

*Denotes Chrome Finish

Inside Releases

Prevent entrapment in your freezers and coolers



481 Push inside Release Specifications

Material: Steel rod & flange, Safety-glow plastic knob.
Drilled for No. 10 (5.0mm) screws.

Part #	Description	Price
481	Inside Release	10.50

Note: All inside releases are for 6" door. When other rod lengths are required, please specify exact thickness of door.



483 Inside Release

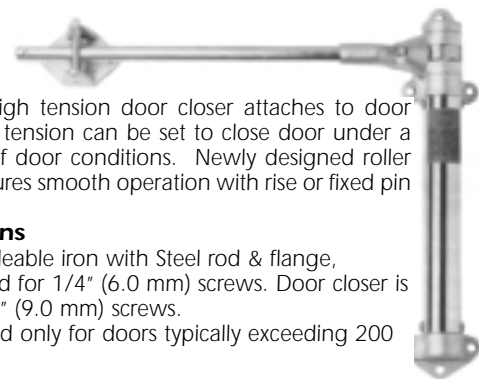
Designed to prevent accidental entrapment in walk-ins, the quick-release mechanism opens the door with minimum effort. The simple push paddle is so convenient that employees have no reason to leave doors ajar between loads

Specifications

Material: Steel
Finish: Kasonized
Drilled for No. 12 (5.5mm) screws.

Part #	Description	Price
483	Paddle Inside Release	23.00

New



Heavy-duty high tension door closer attaches to door frame. spring tension can be set to close door under a wide range of door conditions. Newly designed roller rod guide insures smooth operation with rise or fixed pin hinges.

Specifications

Material: Malleable iron with Steel rod & flange, Guide is drilled for 1/4" (6.0 mm) screws. Door closer is drilled for 3/8" (9.0 mm) screws.
Recommended only for doors typically exceeding 200 lbs.

Part #	Description	Price
1097000008	HD Door Closer CHR	403.00
1097000016	Spring Cartridge Kit CHR	214.00
1097000063	Arm Guide Assy CHR	54.00